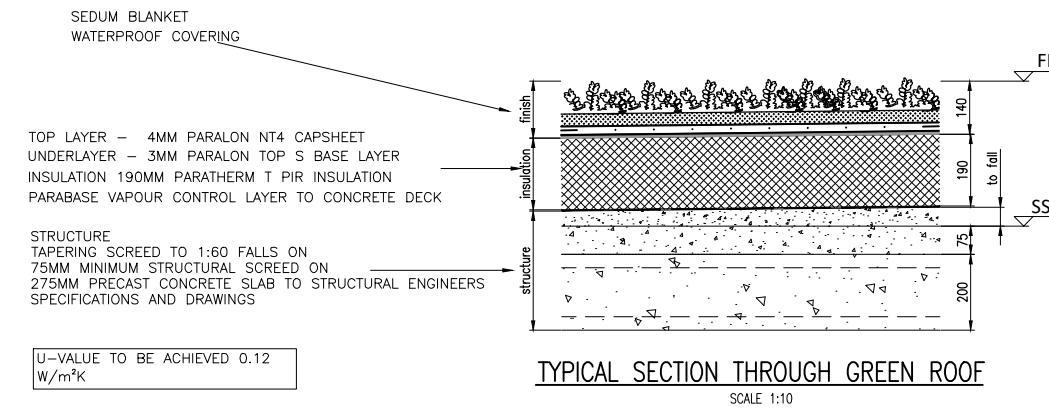
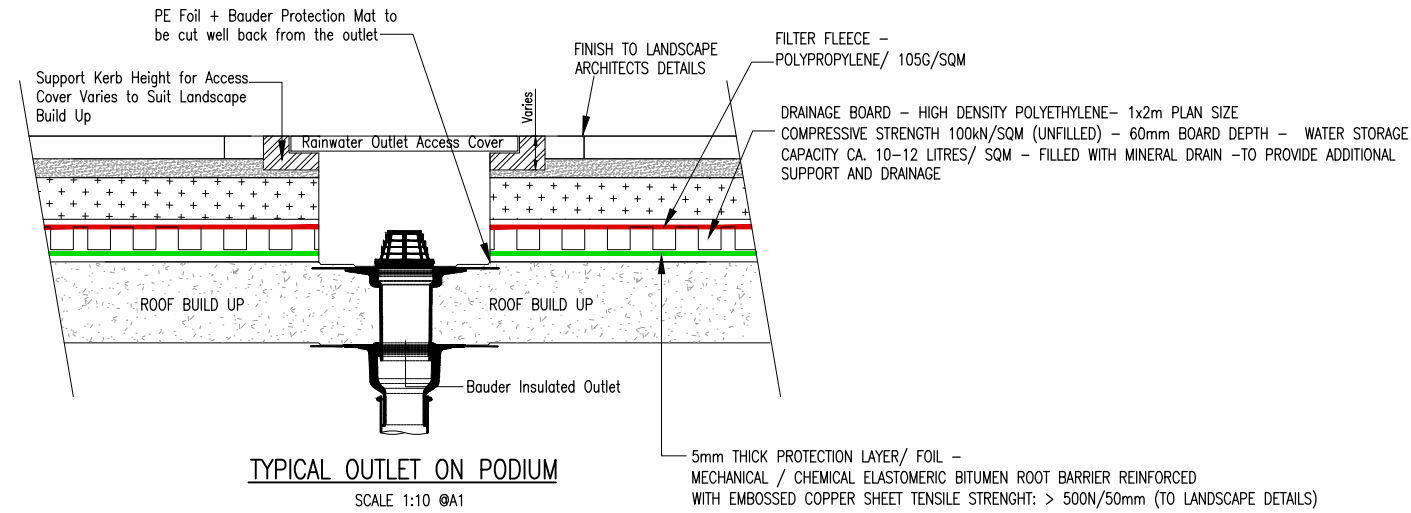
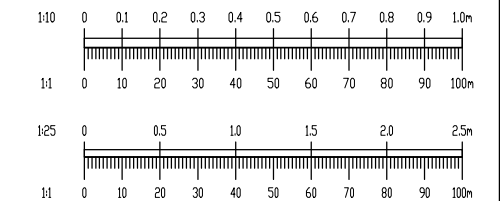
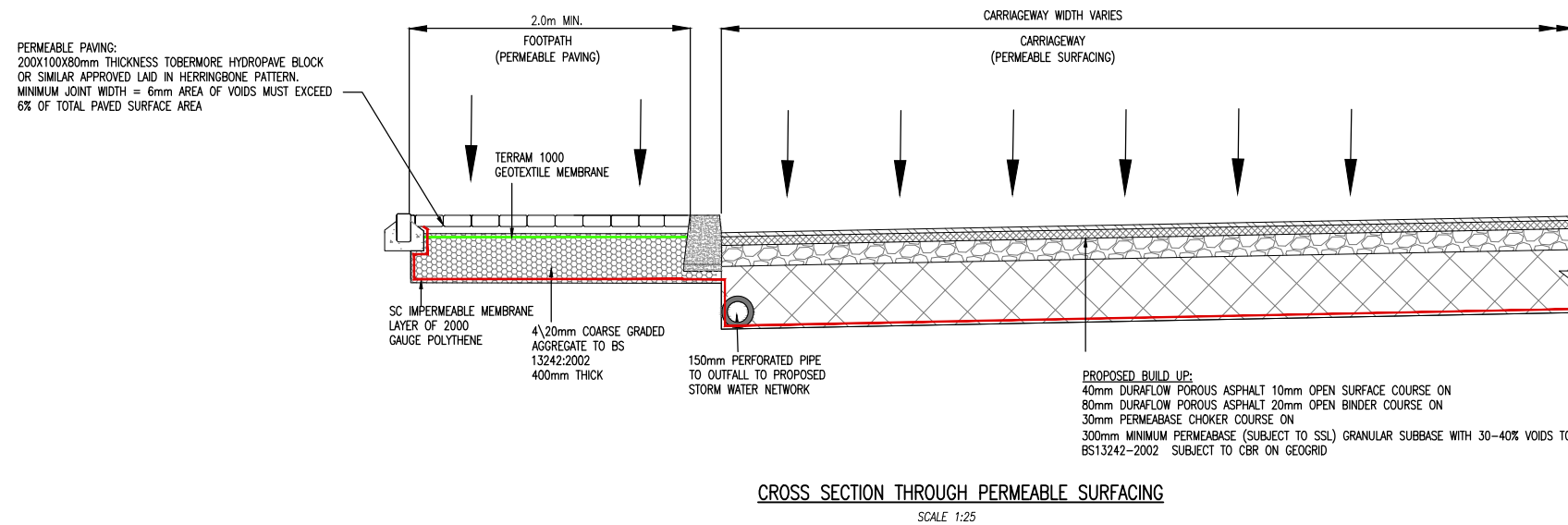


NOTES:

1. DO NOT SCALE. USE FIGURED DIMENSIONS ONLY.
2. THIS DRAWING IS TO BE READ IN CONJUNCTION WITH ALL OTHER RELEVANT ARCHITECTURAL AND ENGINEERING DRAWINGS.



6 April 2022  
-- DRAFT --  
Graham Byrne  
11:27



REV.	DATE	AMENDMENT	DRN	APPD

STATUS **FOR PLANNING ONLY  
NOT FOR CONSTRUCTION**

**Waterman Moylan**  
Engineering Consultants

BLOCK 5, EASTPOINT BUSINESS PARK, ALFIE BYRNE ROAD,  
DUBLIN D03 H3F4 IRELAND. Tel: (01) 864 8900  
Email: info@waterman-moylan.ie www.waterman-moylan.ie

CLIENT **SANDYFORD ENVIRONMENTAL CONSTRUCTION LTD**

ARCHITECT **MC CAULEY DAYE O'CONNELL**

PROJECT **TACK SANDYFORD SHD**

TITLE **SUDS DETAILS**

DRAWN <b>G.Byrne</b>	DESIGNED <b>BMC</b>	APPROVED <b>JG</b>	DATE <b>MAR. '22</b>
SCALE <b>AS SHOWN @A1</b>	JOB NO. <b>21-118</b>	DRG. NO. <b>P126</b>	REVISION